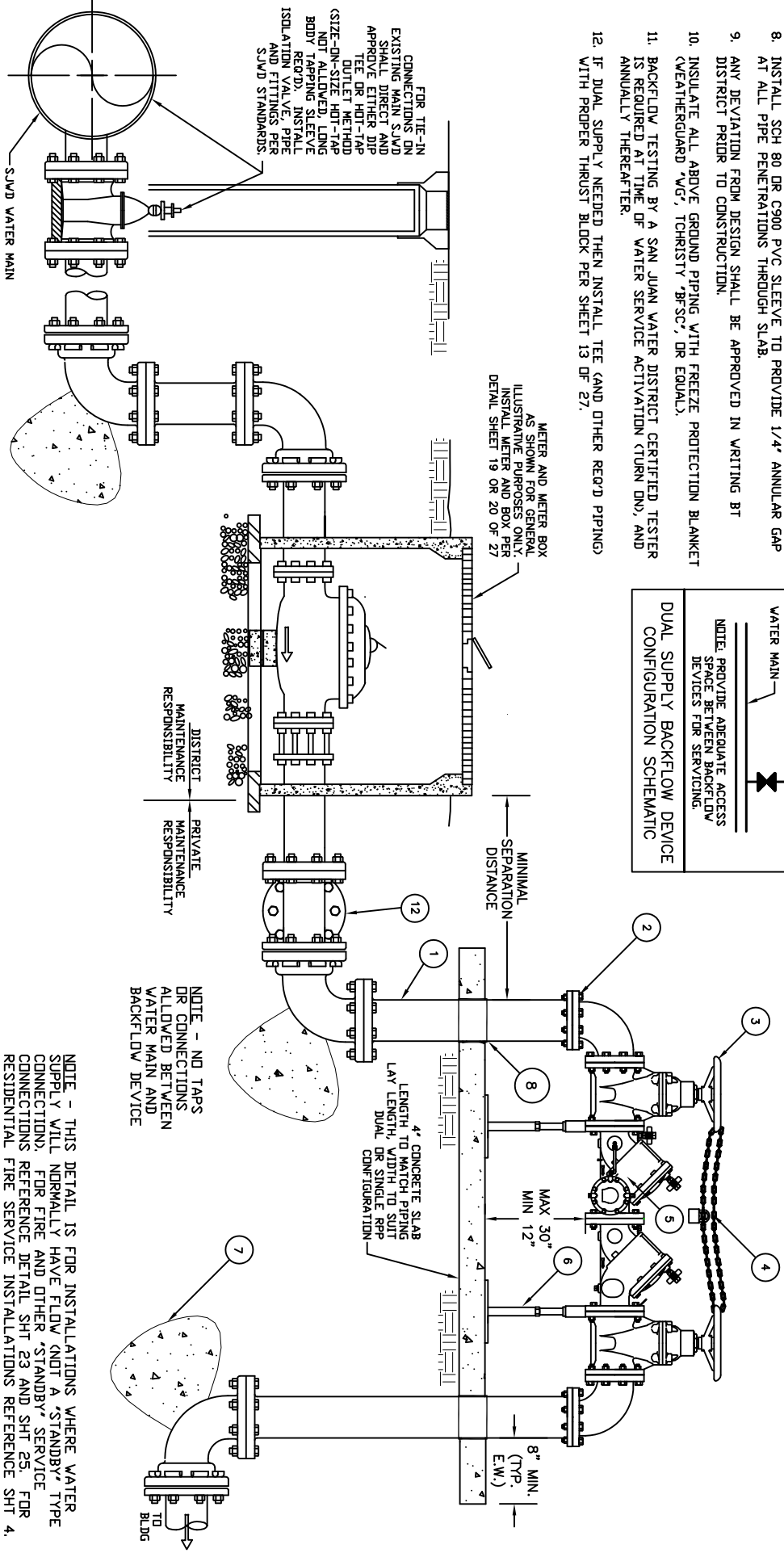
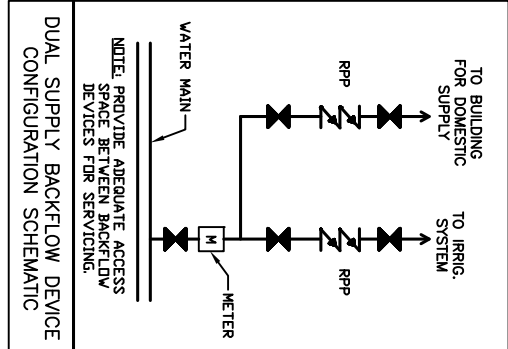


- NOTES:**
1. ALL PIPING SHALL BE PRESSURE CLASS C1-350 DIP UNLESS OTHERWISE DISTRICT DIRECTED. POLY-WRAP PER AWVA C105.
 2. FITTINGS SHALL BE FLG x FLG OR FLG x MJ MECHANICALLY RESTRAINED (EBA4 MEGALUG, OR APPROVED EQUAL).
 3. RESILIENT SEATED AWVA CS09 GATE VALVES.
 4. MIN. OF 3/8" NON-CASE HARDENED CHAIN W/LOCK BETWEEN VALVES
 5. RPP BACKFLOW PREVENTION DEVICE (WILKINS MODEL 975, FEBCD 825YD, OR DISTRICT APPROVED EQUIVALENT).
 6. PIPE SUPPORTS (PHD MANUFACTURING 875 WITH 871 STAND, PLACER WATERWORKS SBL-S SADDLE WITH STAND, OR DISTRICT APPROVED EQUIVALENT). INSTALL ANCHORS PER MANUFACTURERS RECOMMENDATIONS.
 7. THRUST BLOCKS PER DISTRICT REQUIREMENTS (SEE SHEET 12).
 8. INSTALL SCH 80 OR C900 PVC SLEEVE TO PROVIDE 1/4" ANNULAR GAP AT ALL PIPE PENETRATIONS THROUGH SLAB.
 9. ANY DEVIATION FROM DESIGN SHALL BE APPROVED IN WRITING BT DISTRICT PRIOR TO CONSTRUCTION.
 10. INSULATE ALL ABOVE GROUND PIPING WITH FREEZE PROTECTION BLANKET (WEATHERGUARD "VIG", TORHISTY "BFSC", OR EQUAL).
 11. BACKFLOW TESTING BY A SAN JUAN WATER DISTRICT CERTIFIED TESTER IS REQUIRED AT TIME OF WATER SERVICE ACTIVATION (TURN ON), AND ANNUALLY THEREAFTER.
 12. IF DUAL SUPPLY NEEDED THEN INSTALL TEE (AND OTHER REQ'D PIPING) WITH PROPER THRUST BLOCK PER SHEET 13 OF 27.



NOTE - THIS DETAIL IS FOR INSTALLATIONS WHERE WATER SUPPLY WILL NORMALLY HAVE FLOW (NOT A 'STANDBY' TYPE CONNECTION). FOR FIRE AND OTHER 'STANDBY' SERVICE CONNECTIONS REFERENCE DETAIL SHT 23 AND SHT 25. FOR RESIDENTIAL FIRE SERVICE INSTALLATIONS REFERENCE SHT 4.

APPROVED FOR SJWD:

BACKFLOW PREVENTION DEVICE WITH METER (2-1/2" OR LARGER)



NO	DATE	REVISIONS	APP	BY

ROB WATSON, P.E. - ENGINEERING SERVICES MANAGER

SCALE: NTS PRINT DATE: 09/13/10 DETAIL NO: SHT 22 OF 27