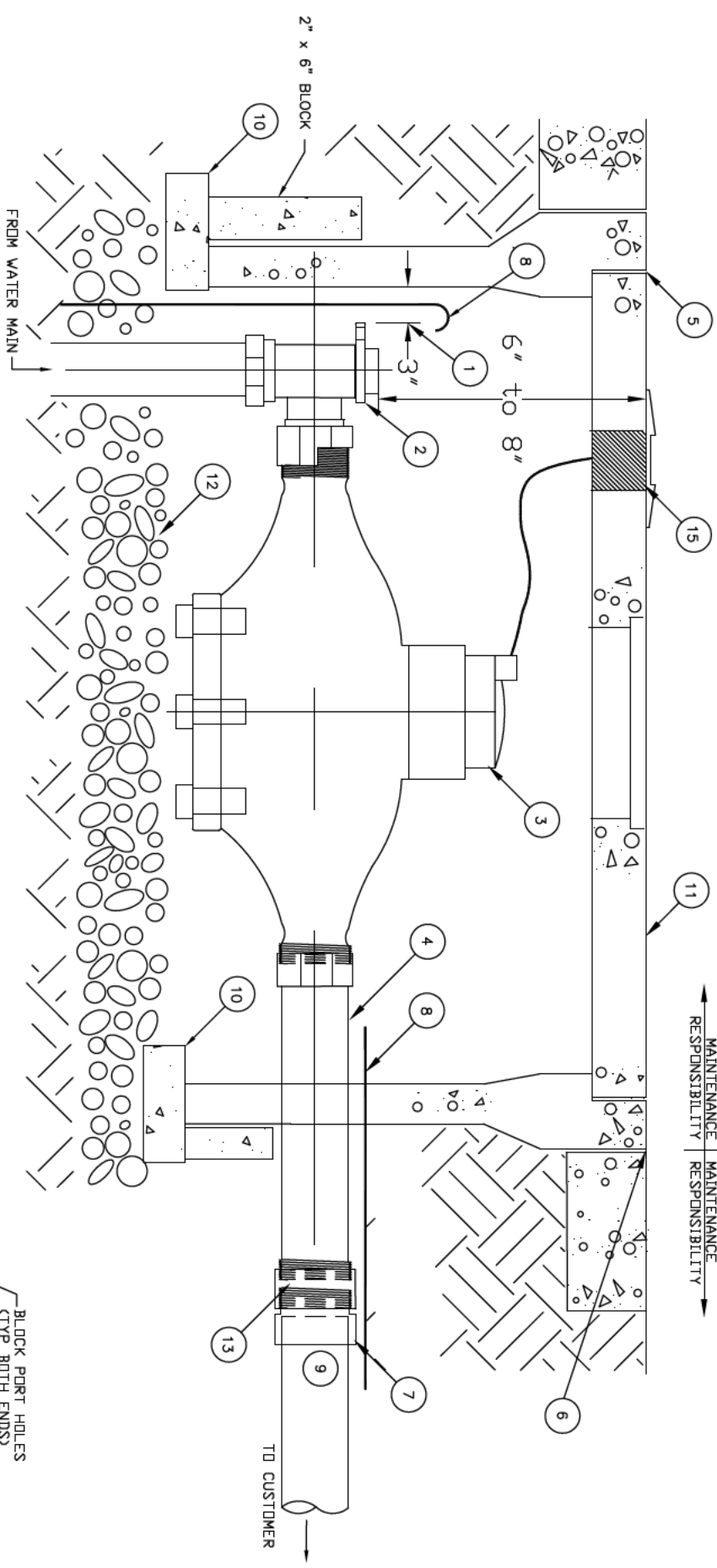
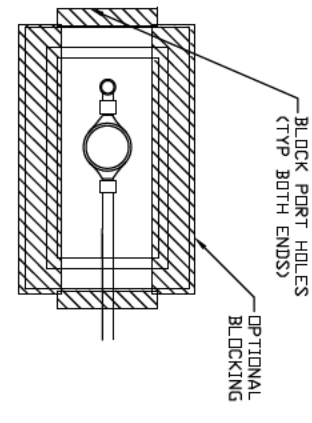


DISTRICT MAINTENANCE RESPONSIBILITY ←
 ← CUSTOMER MAINTENANCE RESPONSIBILITY



NOTES:

1. 3-IN SEPARATION FROM BACK OF BOX LID. METER FACE MUST BE EASILY READABLE THRU METAL PART IN BOX LID.
 2. 1-IN ANGLE METER VALVE.
 3. SENSUS SR II TR/PL TOUCH READ METER, DR S/W/D APPROVED ALTERNATE.
 4. 8-1/2 INCH BRASS METER SPUD (SEE *)
 5. CHRISTY B-16 BOX WITH B-16GP LID.
 6. BOX MUST BE SET FLUSH WITH FINAL LOT GRADE AND CLEAR OF OBSTRUCTIONS, INCLUDING DRIVEWAYS. CONTACT DISTRICT WHERE CONFLICTS EXIST. GRADE SURROUNDING FINISHED SURFACE AREA TO DRAIN AWAY FROM METER BOX.
 7. SCH. 80 PVC ADAPTER (MIPxSLIP).
 8. #10 GAUGE INSULATED COPPER TONING WIRE, 18-IN LENGTH TO BE LEFT IN SERVICE BOX STRIP 6" OF INSULATION OFF FROM END OF TONING WIRE AND COIL WIRE IN BOX.
 9. CUSTOMER LINE SIZE SELECTED BY OWNER, TYPICALLY 3/4-IN. OR GREATER. LARGER SIZE MAY BE WARRANTED. OWNER TO VERIFY SIZE REQUIRED WITH DESIGNER.
 10. 2"x4" AND 2"x6" CONG. OR BRICK BLOCKING TO SUPPORT BOX AND METER SPUD. BLOCKS ARE TO BE PLACED LENGTH WISE OR ON ENDS AND COVERING PORT HOLES IN BOX.
 11. DAMAGED BOX OR LID (#6) SHALL BE REPLACED BY THE CONTRACTOR PRIOR TO WATER TURN ON / ACTIVATION.
 12. 3/4 INCH SCREENED DRAIN ROCK 12-IN DEEP.
 13. 1-1/2 IN BRASS (FTRxFTIP) COUPLER
 14. OWNER TO MAINTAIN A MIN. 2-FT HORIZONTAL CLEARANCE FROM SERVICE BOX PERIMETER FOLLOWING INSTALLATION OF THE METER.
 15. SEE SENSUS INSTALLATION DETAIL SHEET FOR TOUCH READ PAD INSTALLATION
- * SUPPLIED BY DISTRICT (FOR NEW DEVELOPMENT PROJECTS ONLY)



NO	DATE	REVISIONS	APP	BY

STANDARD 1" METER CONNECTION

SAN JUAN WATER DISTRICT

APPROVED _____

SCALE: _____

PRINT DATE: 02/04/13

DETAIL NO. SHIT 18 OF 27